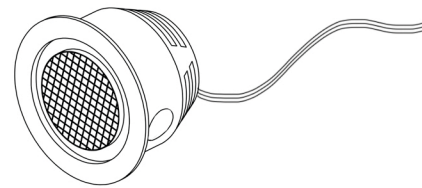


INSTALLATION
INSTRUCTIONS

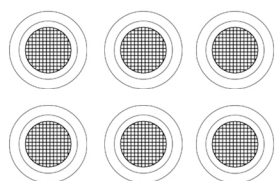
6 x NIMBUS
LED DOT IP67
ROUND PLINTH
LIGHT PACK



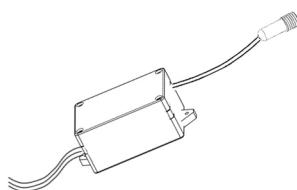
CODE: SE35000C6.1

IMPORTANT: Please read these instructions before commencing installation and retain for future reference.

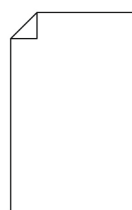
Components



6 x LED Lights

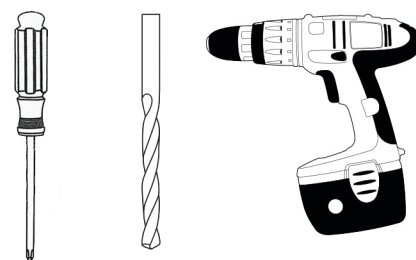


1 x Driver



1 x Instructions

Tools required



Screw driver 24mm Drill Bit Power Drill

Important Safety Information

Please read these instructions carefully before attempting to install this product. It is advisable to keep these instructions in a safe place for future reference.

Installation should be carried out by a qualified electrician. All electrical installation must be carried out in accordance with current IEE wiring regulations (BS7671).

These products must not be modified, if any modification are made, it may invalidate the warranty and may render the product unsafe. These LED lights operate low voltage (12V).

Do not wire the individual LED light fittings directly to the mains. This product can be used indoors and outdoors.

Use only with a mains supply socket that it protected by a residual current circuit breaker (RCCB).

- If in doubt installation must be carried out by a qualified electrician.
- Install on smooth flat surface(s) only.
- Do not exceed or stretch the cable length of each LED wire.
- The luminaires in this pack are IP67 Rated - submersible up to 1m.
- The wattage for each light is 0.6W. The appropriate driver is included in this pack (driver max. wattage 8W).
- Maximum walkover pressure: 10kg.
- The transformer or junction box must not be buried in the ground, it is protected against water splashes but must not be located where it may become waterlogged. The power supply cord must not be exposed to mechanical damage.
- Avoid: positions in decking centre where pedestrians may trip on edge of light. Check wiring path layout, cable lengths, and suitable transformer locations etc. before commencing work. If the connector between transformer and fittings (low voltage output line) is to be buried, ensure that drainage is provided so that junction point does not become waterlogged.

Safety Instructions

1. Before commencing installation or maintenance, isolate the main electrical supply for the appropriate circuit at the fuse board.
2. This product is only suitable for connecting to a 240V 50Hz supply, using the provided driver.
3. The lights should be mounted onto a secure surface.
4. Never exceed the total output of the LED driver.

5. Suitable for furniture lighting.
6. When the lamp expires the fitting must be replaced
7. Class III safety extra low voltage (SELV).

Waste Electrical & Electronic Equipment (WEEE)

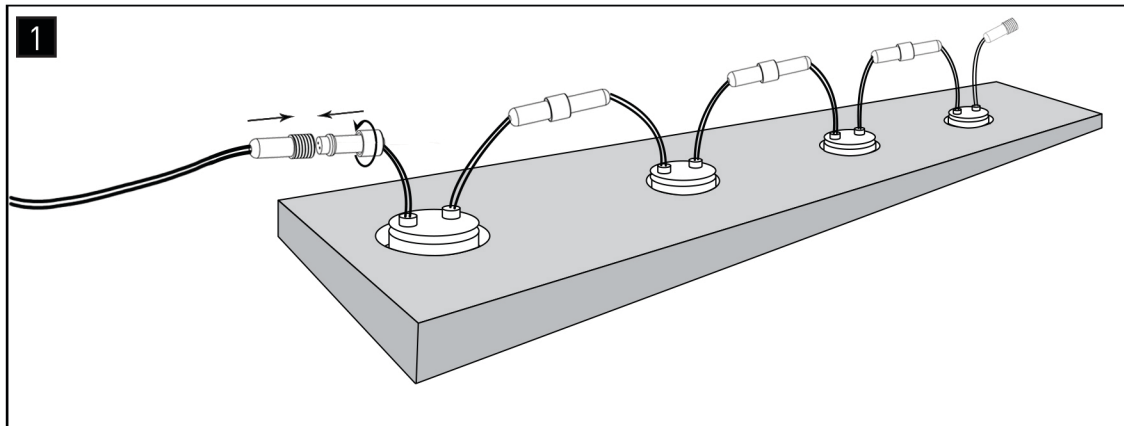
The symbol on the product, or on the document accompanying the product, the crossed out wheeler bin symbol, indicates that this product may not be treated as household waste. Instead it shall be handed over to the applicable collection point for the recycling of electrical and electronic waste.



RoHS
Compliant ✓



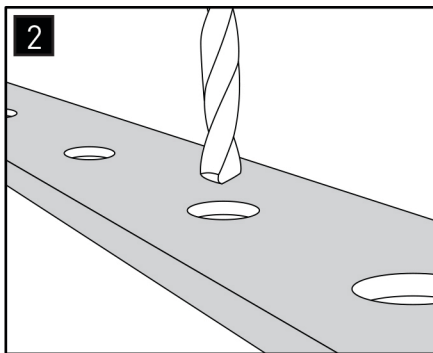
Installation



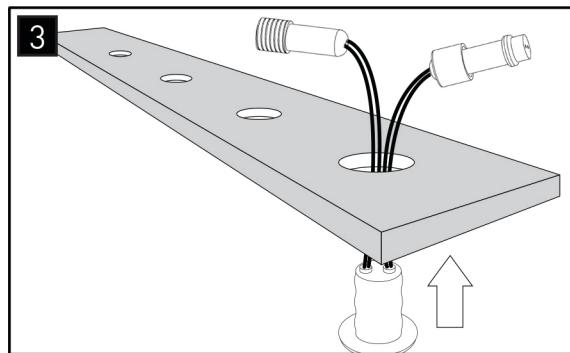
These lights simply daisy chain together. Each fitting has a length of 2 pre-wired cables containing a plug on both ends, allowing each fitting to be co-joined with another fitting.

To connect the cables simply plug the ends together, aligning the pins with the holes. Then screw the moving part over the connection to secure it.

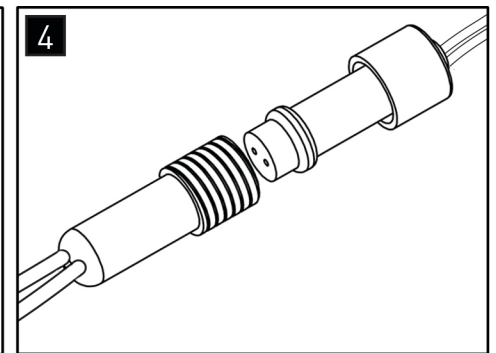
The plug on the last fitting will then simply be connected to the plug wired onto the end of the transformer cable.



1 Cut six 24mm holes in the plinth at your required locations.



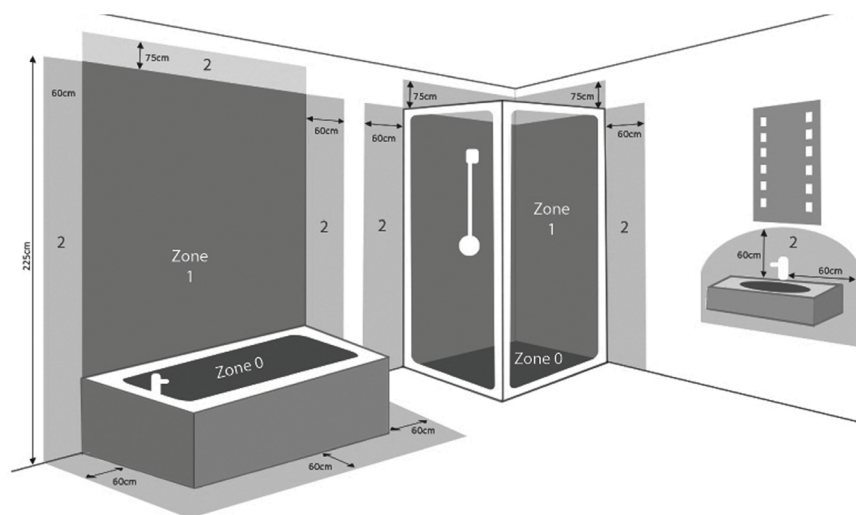
3 Feed the wire from the first fitting through the cut out hole. The light will clip into place. Repeat for each fitting.



4 Connect each fitting to the previous via the connection plugs on the end of each fitting. The last fitting will connect to the driver. Connect your driver to the mains supply.

ZONE

- 0** Inside the bath or shower. Must be SELV (12V max.) due to water submersion. Minimum rating of IP67.
- 1** 225cm above the bath or shower. Minimum rating of IP44.
- 2** The area stretching to 60cm outside the bath or shower and 60cm from water outlet of sink. An IP rating of at least IP44 is required.



OUTSIDE ZONES. Anywhere outside zones 0, 1 & 2. Where water jets are not used for cleaning purposes, the general rules of BS7671 apply.

These plinth light fittings are suitable for zones 0, 1, 2 and the outside zones

Maintenance & Care

- Ensure that the power is disconnected prior to cleaning.
- To keep the finish of this product, wipe over with a soft cloth periodically.
- Do not use harsh chemical solvents, this may dis-colour or damage the finish.